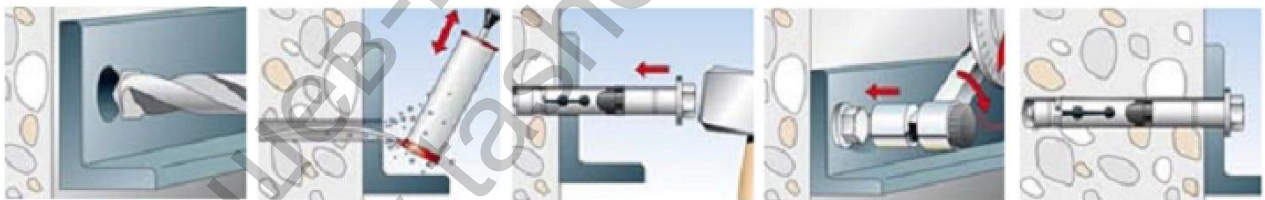
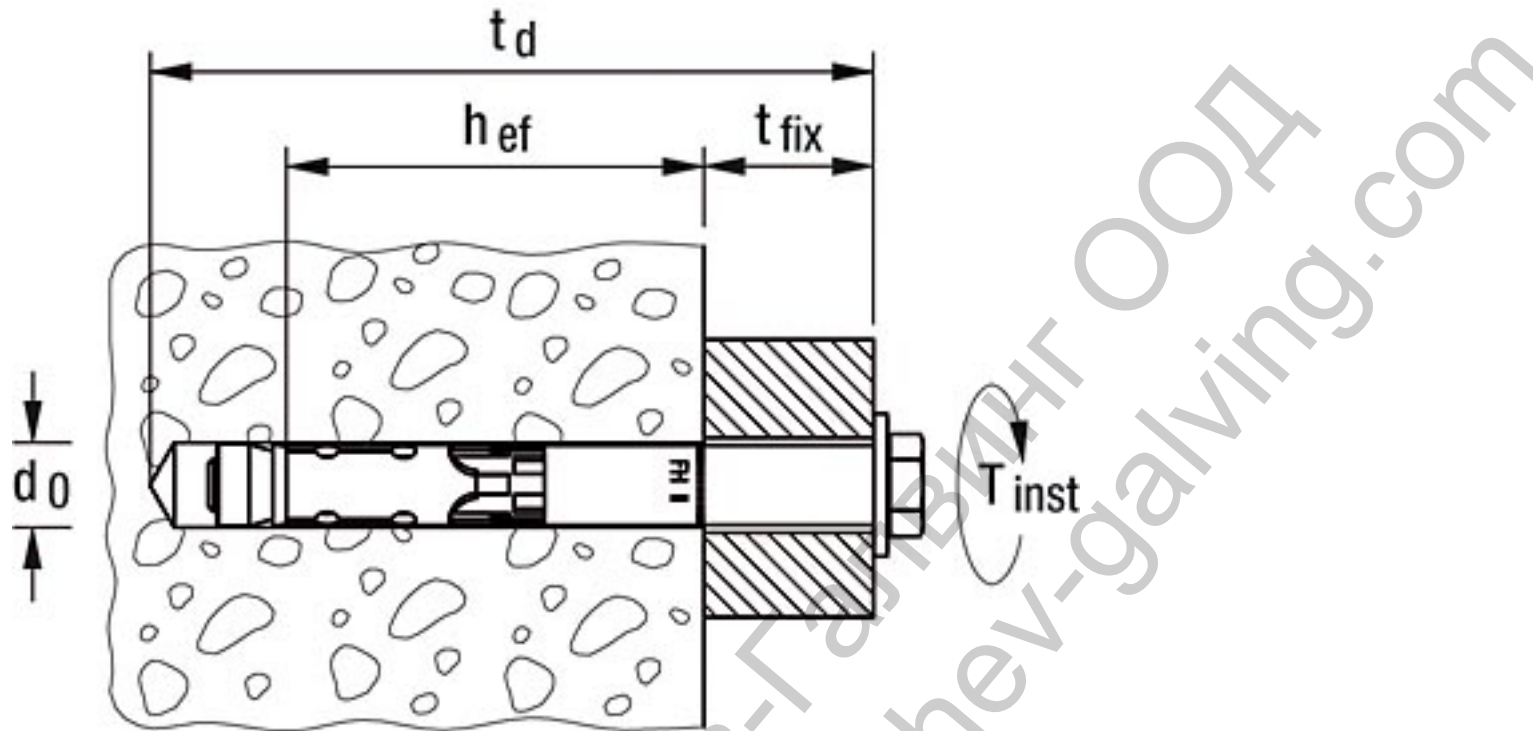




### Anwendungsbeispiele



Technische Daten



Typ	Art.-Nr.	<span style="color: blue;">■</span> ETA <span style="color: red;">●</span> DIBt	$d_0$	$h_2$	$h_{ef}$	$l$	$t_{fix}$	$t_{SW}$		
FH II 10/10 S	503133	-	10	65	40	70	10	10	12 x 2	50
FH II 10/25 S	503134	-	10	80	40	85	25	10	12 x 2	50
FH II 10/50 S	503135	-	10	105	40	110	50	10	12 x 2	50
FH II 12/10 S	044884	-	12	90	60	90	10	13	22 x 2,5	50
FH II 12/25 S	044885	-	12	105	60	105	25	13	22 x 2,5	50
FH II 12/50 S	044886	-	12	130	60	130	50	13	22 x 2,5	25

Typ	Art.-Nr.	<input type="checkbox"/> ETA <input type="checkbox"/> DIBt	<div class="h6">d <sub>0</sub> </div>	<div class="h6">h <sub>2</sub> </div>	<div class="h6">h <sub>ef</sub> </div>	<div class="h6"></div>	<div class="h6">t <sub>fix</sub> </div>	<div class="h6">SW</div>		
FH II 15/10 S	044887	-	15	100	70	106	10	17	25 x 3	25
FH II 15/25 S	044888	-	15	115	70	121	25	17	25 x 3	25
FH II 15/50 S	044889	-	15	140	70	146	50	17	25 x 3	25
FH II 18/10 S	046847	-	18	115	80	118	10	19	30 x 3	20
FH II 18/25 S	044894	-	18	130	80	132	25	19	30 x 3	20
FH II 18/50 S	044896	-	18	155	80	157	50	19	30 x 3	20
FH II 24/25 S	044898	-	24	150	100	160	25	24	40 x 5	10
FH II 24/50 S	044900	-	24	175	100	185	50	24	40 x 5	10
FH II 28/30 S	044901	-	28	185	125	192	30	30	44 x 4,5	4
FH II 28/60 S	044902	-	28	215	125	222	60	30	44 x 4,5	4
FH II 32/30 S	044903	-	32	210	150	215	30	36	50 x 5	4
FH II 32/60 S	044904	-	32	240	150	245	60	36	50 x 5	4

Typ	Art.-Nr.	<input type="checkbox"/> ETA <input type="checkbox"/> DIBt								
	510923	-	10	65	40	69	10	10	18 x 2	50
	510924	-	10	80	40	84	25	10	18 x 2	50
	510925	-	12	90	60	90	10	13	22 x 2,5	50
FH II 12/25 S A4	510926	-	12	105	60	105	25	13	22 x 2,5	20
FH II 15/10 S A4	510927	-	15	100	70	107	10	17	25 x 3	50
FH II 15/25 S A4	510928	-	15	115	70	122	25	17	25 x 3	20
FH II 18/25 S A4	510929	-	18	130	80	133	25	19	30 x 3	10
FH II 24/25 S A4	502711	-	24	150	100	160	25	24	40 x 4	8